

Selection guide  
 Constant temperature incubator/shaker  
 CO<sub>2</sub> incubator/shaker  
 Shaker  
 Mixer/Rotator/Stirrer  
 Bead beater/homogenizer/ultrasonic homogenizer  
 Aluminum block bath/Minimize bath  
 Water bath/Shaking water bath/Immersion cooler  
 Hybridation oven/Constant temperature chamber  
 Centrifugal concentrator/Cold trap  
 Freeze dryer  
 Electrophoresis and Blotting apparatus  
 Constant temperature water circulating system [Chiller]  
 Appendix

# Dry Thermo Unit DTU-Mini/Cool Thermo Unit CTU-Mini

The compact-sized aluminum block bath that heats and cools Microtubes and Centrifuge tubes. Fast temp. transition with thin block. Cooled-type CTU with CFC-free.

"Guide to custom-made aluminum block" -> P.108



Using with Aluminum blocks (option)

Model	DTU-Mini	CTU-Mini
Temperature range (°)	3°C above Room temperature to 105°C	0°C to 105°C
Temp. control accuracy (°)	±0.1°C to ±0.2°C (Set per 0.1°C)	
Capacity	1pc x Half block	
Temp. transition time at 25°C (Right figure for details)(*)	37°C -> 70°C: Approx. 10min	37°C -> 70°C: Approx. 10min
	70°C -> 37°C: Approx. 25min	37°C -> 4°C: Approx. 20min
Temp. Display/Other functions	Digitally (Preset/Current value), 1 x Temperature Memory	
Heating/Cooling method	Heater, Heat dissipation by fan	Cooling with Peltier element
Safe devices/protections	Sample protection (High/Low temp.), Sensor error, Non-volatile memory error, Automatic tuning error, Alarm setting error, Fuse (inside)	
Dimensions/Weight	128(W) x 215(D) x 190(H)mm, Approx. 1.6kg (Block not included)	
Power supply	AC100 to 240V/1.5A	
Standard accessories	1 x Block extraction hook handle (Blocks sold separately)	

(\*) The specifications might not be met when the hood is open and/or ambient 30°C.

## Optional parts: Half block for Microtubes

Model	Capacity	Hole depth	Dimensions/Remarks
<1>B-0648	48pcs x 0.2mL(8-Tube Strip)	15mm	67.5 x 93 x 35Hmm (<5>50Hmm) Some tubes might not be closely contacted to the holes depending on those sizes. Self-stand tubes can not be use
<2>B-0835	35pcs x 0.5mL	24.5mm	
<3>B-1120A	20pcs x 1.5mL	34mm	
<4>B-1120B	20pcs x 2.0mL	34mm	
<5>B-1515	6pcs x 5.0mL + 8pcs x 1.5mL	48mm 34mm	

## Optional parts: Half block for Micro Vials

Model	Capacity	Hole depth	Dimensions
<6>B-1220	20pcs x 1.5/2.0mL	25mm	67.5x93x35Hmm

## Optional parts: Half block for Disposable centrifuges

Model	Capacity	Hole depth	Dimensions
OB-1612L(*)	12pcs x 15mL (*)	48mm	67.5x93x50Hmm

## Optional parts: Half block for Test tubes

Model	Capacity	Hole depth	Dimensions
OB-1712L(*)	12pcs x φ16.5mL	48mm	67.5x93x50Hmm

## Optional parts: Half block for Microplate (for Mini)

Model	Capacity	Hole depth	Dimensions
OB-0001	1pc x Flat bottom (*)	-	77x116x39Hmm

(\*) The hood cannot be closed during use. (\*) Eppendorf Safe-Lock Tubes can be used. (\*) The temperature transfer is inferior in Flat bottom.

We contribute to the development of research and industry.

TAITEC [ 2019-2020 General Catalog ]

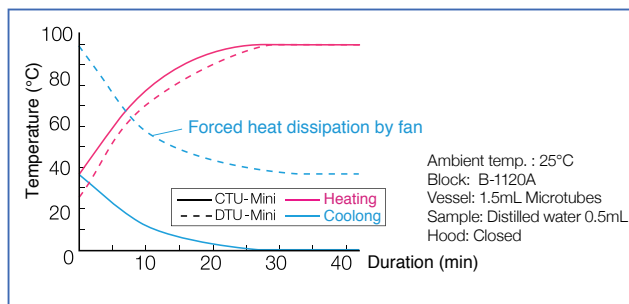
## Features

- For 1pc "Half block". Changeable block (Option).
- Easy to use. Frequently used temp. can be memorized
- Possible for Temp. control from 0 °C [CTU-Mini]

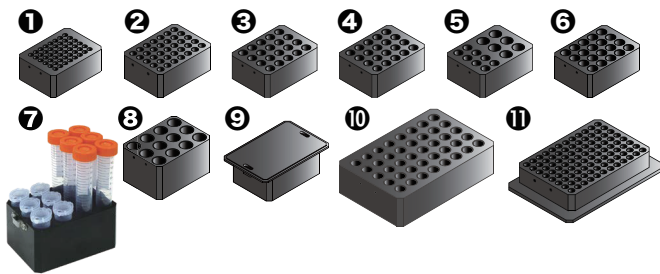
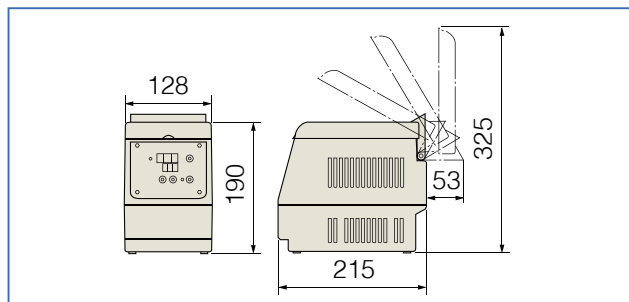
## Applications

- Enzyme reactions and Heat denaturation of DNA and RNA
- DNA Ligation at low temp. [CTU-Mini]
- Incubation etc. in ELISA

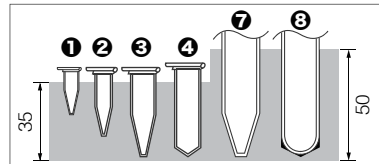
## Example of Temperature transition time



## Dimensions



The hole shape and fit condition of each vessel are as the figure below. Each hole shape almost fits the vessel shape except for ⑧. In ⑦ 15mL and 5mL Centrifuge tubes fit in around 5mL the scale marked.



● Protuberances not included in Dimensions. ● Vessels of photo not included.