

DwMax VBR-104

Our proprietary technology "NewMax drive" enables excellent aeration effectiveness Max. 500r/min. Optimum for bacteriophage culture and small-scale cultivation.



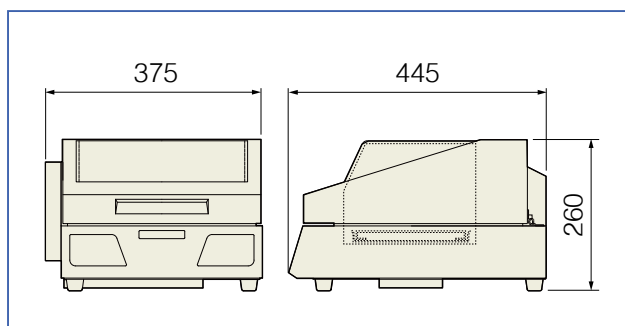
Our proprietary technology "NewMax drive" enables a great stirring effectiveness to preventing the wobble.

The shaker generates synergistically the wobble by its vibration and the wobbling of platform by inertia. The wobble sometimes spoils the effectiveness of shaking and stirring. NewMax drive realizes the shaker less wobbled. For example, we obtained the effectiveness dramatically the variation between wells in the cultivation using deep wells improved (see the page 014).

Model	VBR-104
Temperature range (*1)	8°C above RT (*2) to 60°C
Temp. control accuracy (*3)	±0.5°C to ±1.0°C
Shaking motion	Orbital shaking
Speed range	50 to 500r/min
Platform size	240 x 220mm (Max. inside height: 168mm)
Ambient temp. range	5°C to 30°C
Heating method	Heater 80W
Safety devices/functions	Fuse, Self-diagnosis function for temp. control error, Braking when hood open, Motor overload/Over-voltage protection
Dimensions (W x D x H)	375 x 445 x 260mm
Maximum load	1kg (Platform included)
Weight	Approx. 20kg
Power supply	AC100 to 240V/2A
Standard accessories	1 x Stick sheet

(*1)It may not reach the maximum temperature by the surroundings. (*2)RT (Room temperature) has been set 25°C as the standard. (*3)The value at the ambient temperature 25°C.

Dimensions



We contribute to the development of research and industry.
TAITEC [2019-2020 General Catalog]

Features

- Excellent aeration effectiveness.
- Suitable for small Erlenmeyer flask, Centrifuge tube and Microtube.
- Compact bench-top unit is easy to handle.

Applications

- Cultivation of Bacteriophage
- Cultivation of Microbes such as E.coli
- Solubility test for Refractory

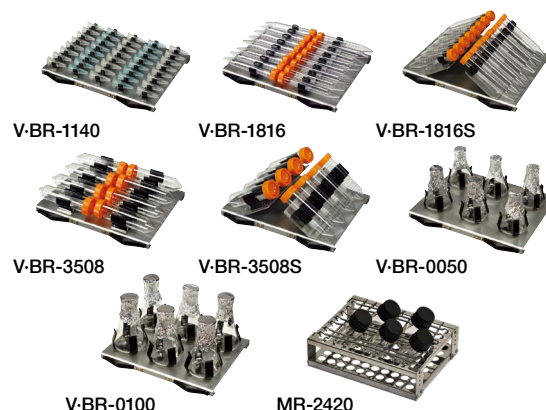
Easy to detach the platform. Plenty variations.

Comes with Stick sheet. Spring net shaking platform, Universal shaking platform and others are available as an option.

Spring net shaking platform
MR-2420 (Option)



Optional parts : Platforms



Product Name / Model	Capacity of Vessels
Shaking platform for 1.5mL Microtube V-BR-1140	1.5/2mL Microtube x40
Horizontal shaking platform for 15mL centrifuge tube V-BR-1816	15mL disposable tube x16
Diagonal shaking platform table for 15mL centrifuge tube V-BR-1816S	15mL disposable tube x16
Horizontal shaking platform for 50mL centrifuge tube V-BR-3508	50mL disposable tube x8
Diagonal shaking platform table for 50mL centrifuge tube V-BR-3508S	50mL disposable tube x8
Shaking platform for 50mL Erlenmeyer flask V-BR-0050	50mL Erlenmeyer flaskx6
Shaking platform for 100mL Erlenmeyer flask V-BR-0100	100mL Erlenmeyer flaskx6
Spring net shaking platform MR-2420	100mL Erlenmeyer flaskx6

● Protuberances not included in Dimensions. ● Vessels of photo not included.