

Reciprocal shaker SR-1

Compatible with Test tubes and Erlenmeyer flasks. Shakes strongly with 50 mm shaking width. Equipped with 60-minute timer.

Compatible in Shaking platform "Shaker for Elution testing TS-10" --> P.075

Features

- Dedicated for Reciprocal shaking. 50 mm shaking width
- Shaking platform (option) 4 types.
Capacity: 6pcs x 1L Erlenmeyer flask
- Timer operation for 60 minutes, Buzzer is rung at the finish.

Applications

- Preparation of reagents and samples for analysis
- Shaking culture of Microorganisms inside constant temp. room
- Various mixing-stirring etc.

Optional Shaking platform

Shaking platform not included. Please purchase one of the following together.



A Shaking platform for SR-1



C Shaking platform for SR-1

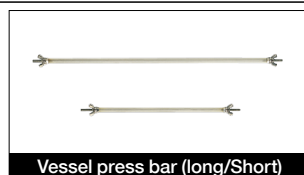
2 sets of commercial test stand for 50 test tubes with ϕ 18 mm stoppers can be fixed by laying them horizontally.

Up to 24pcs of Stopped test tube and Centrifuge tubes of ϕ 10 to 35mm x 100 to 120mm (length) can be mounted.

Model	Remarks
A Shaking platform for SR-1	470 (W *inside) x 300 (D) x 100 (H) mm, Approx. 2.8kg
C Shaking platform for SR-1	680 x 339 mm, Approx. 4.8kg



B Shaking platform for SR-1



Vessel press bar (long/Short)

Capacity: 6pcs x 1L (Standard). The vessel size and capacity can be changed by adding the press bars.

Capacity of Erlenmeyer flasks for B shaking platform, Additional number of Press bars

Volume	Number of flasks	Number of press bars
50mL	40pcs (long 6, short 10)	15pcs (long 2, short 4)
100mL	24pcs (long 4, short 6)	8pcs (short 2)
150mL	15pcs (long 2, short 4)	6pcs (unnecessary)

Product name / Model	Remarks
B Shaking platform for SR-1	Vessel press bars (long 6pcs/short 4ps) included (*). 470 (W *inside) x 300 (D) x 100 (H) mm, Approx. 2.8kg
Vessel press bar (long) for SR-1	For B Shaking platform additionally. ϕ 6mm x 505mm
Vessel press bar (short) for SR-1	B Shaking platform additionally. ϕ 6mm x 335mm

(*) Might be required additionally due to the capacity. See the above for details.

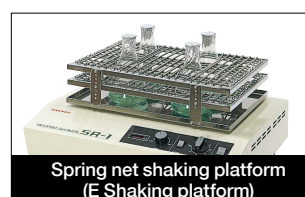
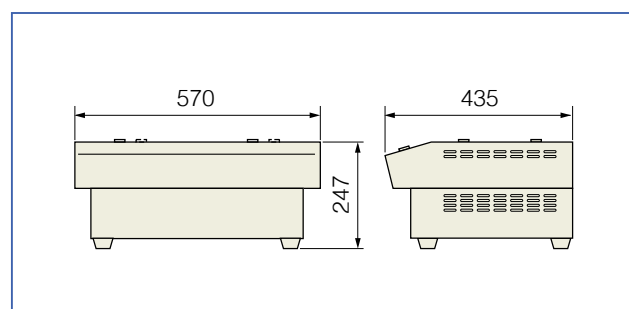


SR-1 with Test tube rack shaking platform

Model	SR-1
Shaking motion	Orbital shaking
Shaking speed	50 to 250r/min (*)
Shaking width	50mm (Fixed)
Maximum load	Approx. 7kg (Shaking platform included)
Timer	60-min Timer for the operation
Speed display	Digitally
Safety devices/functions	Motor protection circuit at overload, Fuse
Dimensions (W x D x H)	570 x 435 x 247mm
Weight	Approx. 45kg
Power supply	AC100V/2A
Standard accessories	1 x Drip-proof cover for Panel

(*) Make the shaking speed below 160r/min when using Spring net shaking platform.

Dimensions



Spring net shaking platform (E Shaking platform)

Various shaped vessels can be placed thanks to the spring net. (There is speed limitation for using it)

Model	Remarks
E Shaking platform for SR-1	460x300x120Hmm, about 2.7kg (*)

(*) Be sure use below 160r/min.

● Protuberances not included in Dimensions. ● Vessels of photo not included.

We contribute to the development of research and industry.
[2019-2020 General Catalog] **TATEC**

Selection guide

Constant temperature incubator shaker
CO₂ incubator shaker
OD-Monitor

CO₂ incubator shaker

Shaker

Mixer
Rotator
Stirrer

Bead beater
homogenizer
Ultrasonic homogenizer

Aluminum block bath
Minimize bath

Water bath
Shaking water bath
Immersion cooler

Hybridization oven
Constant temperature chamber

Centrifugal concentrator
Cold trap

Freeze dryer

Electrophoresis and blotting apparatus

Constant temperature water circulating system (Chiller)

Appendix